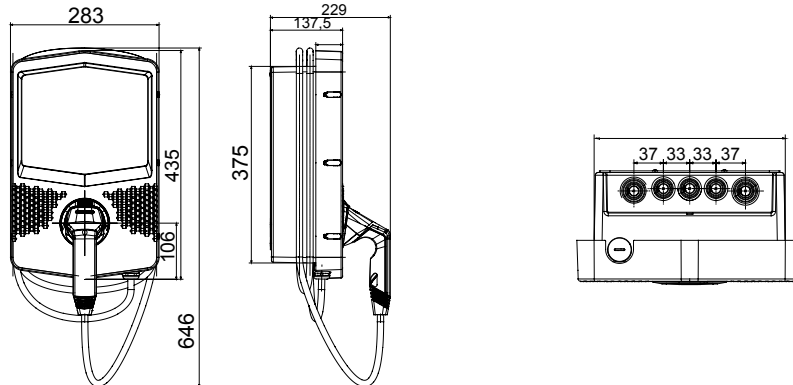




The I-CON wall boxes are the JOINON solution designed and studied for integration into private and semi-public contexts in accordance with the international standard IEC 61851-1 ed. 3. They feature an elegant and compact design, a special "one-hand recharge" function, a vandal-proof socket as an alternative to the cable and holder connector integrated in the station, an IP55 protection rating together with an IK10 impact rating, smart load management, back-lighting and various installation options: wall-mounting, flush-mounting or floor-mounting.

<b>INPUT</b>		- Socket/Connector Nr. (Type)	1 (Type 2 connector with 5 mt. cable)
Terminal blocks	5 x 10 mm <sup>2</sup>	Charging activation	Free access
Rated current	32 A	Human Interface	RGB Led
Total power	22 Kilowatt	Connectivity	No
<b>OUTPUT</b>		<b>MECHANICAL FACTS</b>	-
Rated voltage	400 V	Mounting and installation	Wall mounting (floor mounting with support)
Current supplied (max)	32 A	Colour	Dark grey
Maximum current	22 Kilowatt	Material	Thermoplastic (Post-industrial origin)
Thermal-magnetic protection	Currently not present	External treatments	No
Type of residual current protection	Currently not present	IP degree	IP55
Power meter	Currently not present	Mechanical resistance	IK10
DC Leakage check	Yes	Operating temperature	-25 +50 °C
(Auto)restart electrical protections	Currently not present	Customizations	Yes (front)

### DIMENSIONAL



10

### TECHNICAL SYMBOLOGY

**IP**

IP55

**IK**

IK10

### STANDARDS/APPROVALS

