

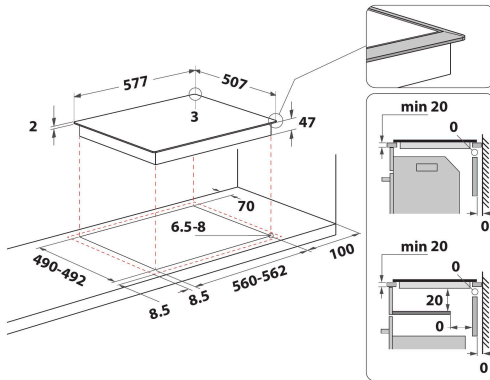
# HR 642 X CM

12NC: F104301

GTIN (EAN) code: 8050147043011

**Hotpoint**

ARISTON



## MAIN FEATURES

Product group	Hob
Construction type	Built-in
Type of control	Electronic
Type of control settings	-
Number of gas burners	0
Number of electric cooking zones	4
Number of electric plates	0
Number of radiant plates	4
Number of halogen plates	0
Number of induction plates	0
Number of electric warming zones	0
Location of control panel	Front
Basic surface material	Ceramic Glass
Main colour of product	Crno
Electrical connection rating (W)	6200
Gas connection rating (W)	0
Gas type	N/A
Current (A)	27,8
Voltage (V)	230
Frequency (Hz)	50/60
Length of Electrical Supply Cord (cm)	0
Plug type	Ne
Gas connection	N/A
Width of the product	580
Height of the product	46
Depth of the product	510
Minimum niche height	42
Minimum niche width	560
Niche depth	490
Net weight (kg)	8
Automatic programmes	Ne

## TECHNICAL FEATURES

Power on indicator	Yes
Number of indicators	4
Type of regulation	Radiant
Type of lid	Without
Residual heat indicator	Separate
Main on/off switch	Yes
Safety device	-
Timer	Yes

## ENERGY LABEL

Energy input	Electric
--------------	----------