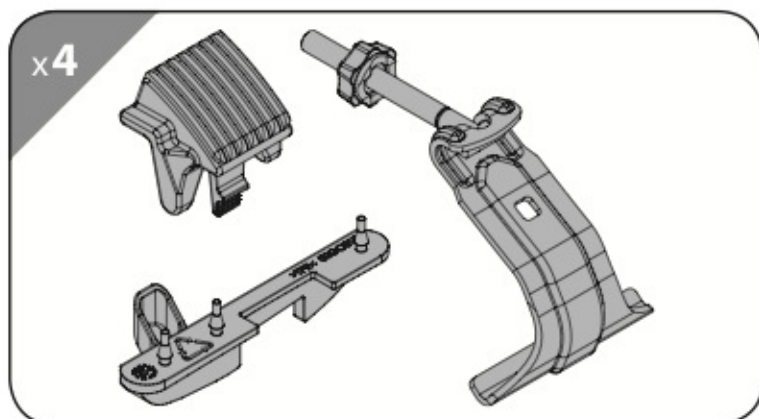


**K 8** Art. N21418

## CLAMP-Kit

FLUSH RAILING



Ⓛ Per   ⓊB For   ⓕ Pour   Ⓛ Für   ⓔ Para

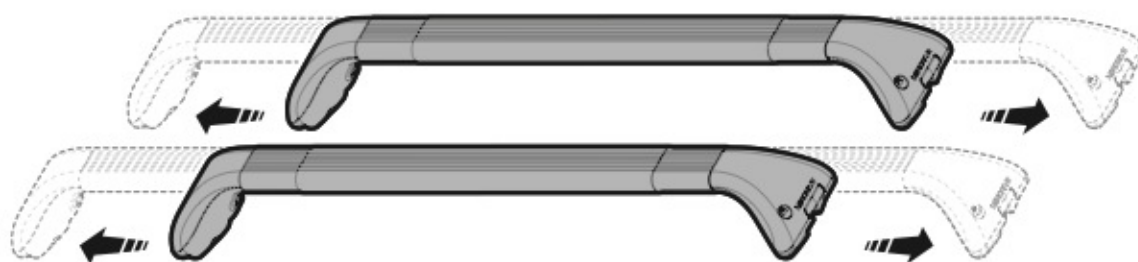
**SNAP** SERIES  
TELESCOPIC BARS

Acciaio / Steel / Acier / Stahl / Acero

**N15010 - N15012 - N15014 - N15016**

Alluminio / Aluminium / Aluminio

**N15011 - N15013 - N15015 - N15017**



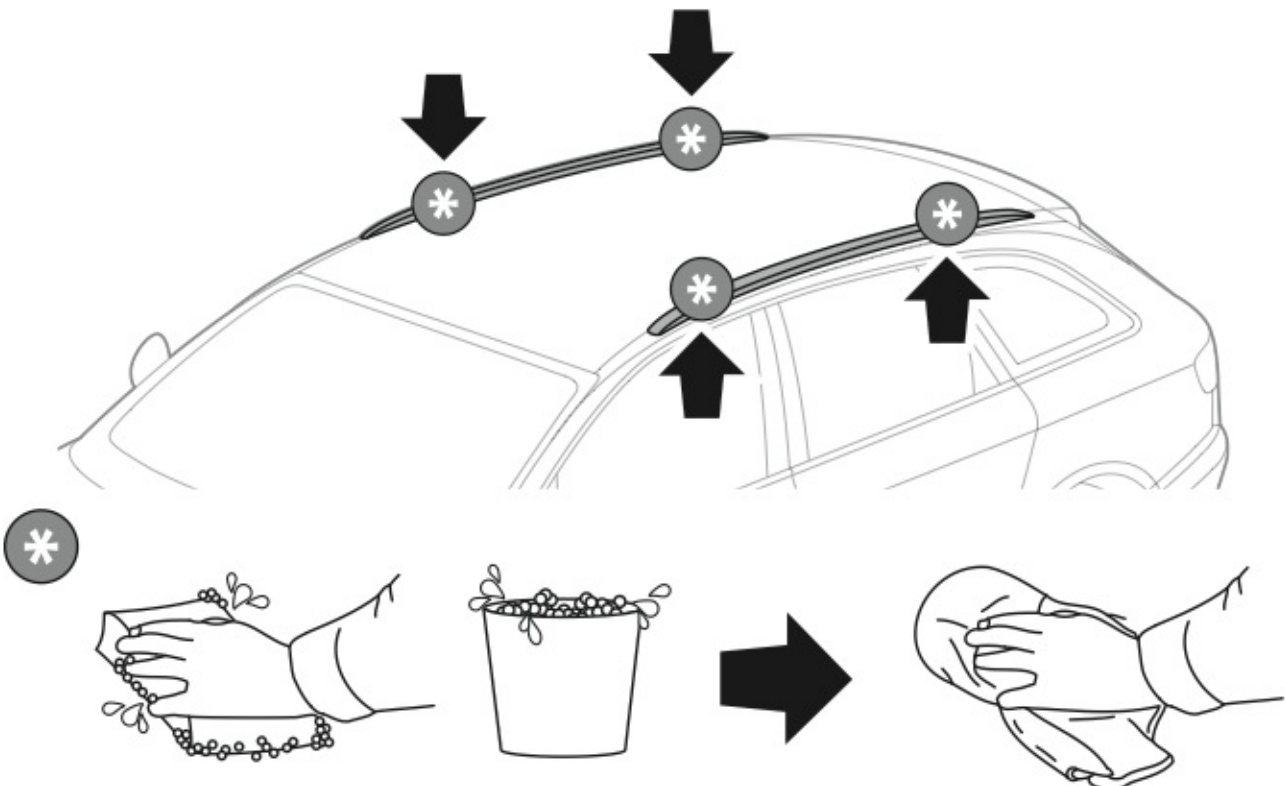
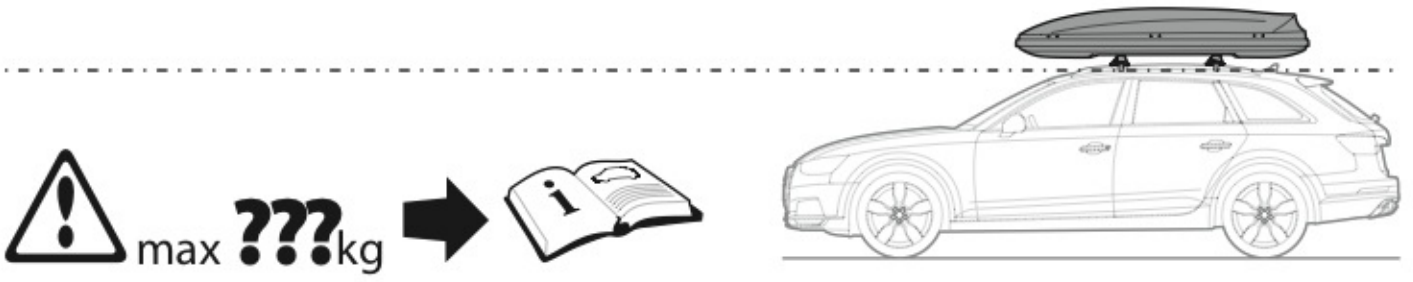
TESTATO E CERTIFICATO

MAX  
**100** KG



TESTED AND APPROVED - GEPRÜFT UND ZERTIFIZIERT


 + 
 
 + 
 
 = max kg. **100**





**NORDRIVE**<sup>®</sup>  
TRANSPORT SOLUTIONS

**K 8**

Art. **N21418**

**x2**

## SNAP SERIES TELESCOPIC BARS

Acciaio / Steel / Acier / Stahl / Acero

Art. **N15010** 5,5 Kg.

Art. **N15012** 7 Kg.

Art. **N15014** 5,5 Kg.

Art. **N15016** 7 Kg.

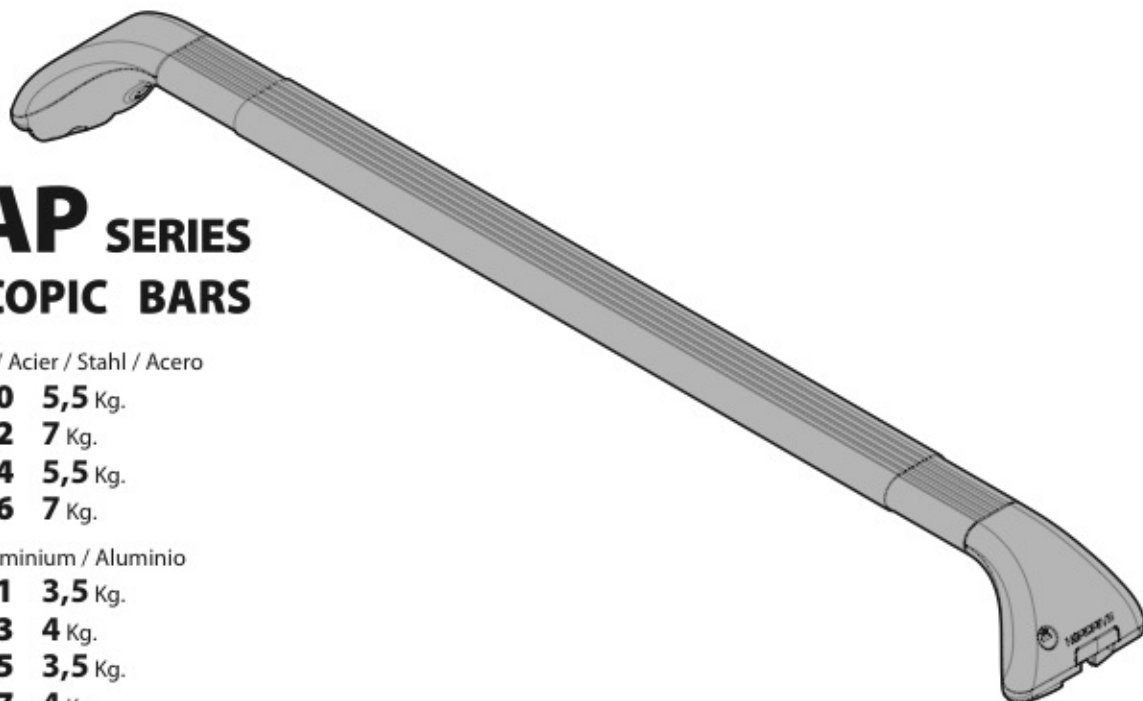
Alluminio / Aluminium / Aluminio

Art. **N15011** 3,5 Kg.

Art. **N15013** 4 Kg.

Art. **N15015** 3,5 Kg.

Art. **N15017** 4 Kg.

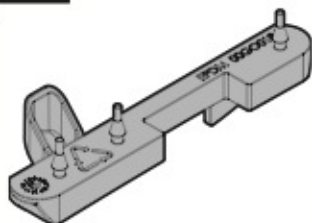


**x4**



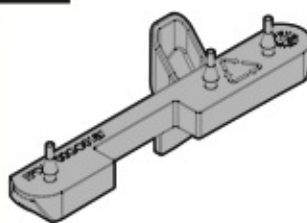
40FE0167

**x2**



00GO0186

**x2**



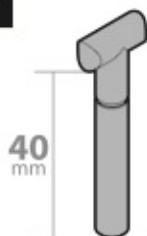
00GO0187

**x4**



30NA0004

**x4**

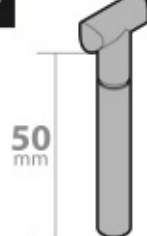


40  
mm

M6x40

60TM6040

**x4**

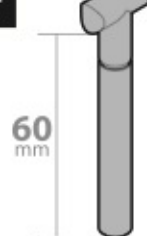


50  
mm

M6x50

60TM6050

**x4**

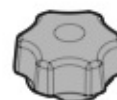


60  
mm

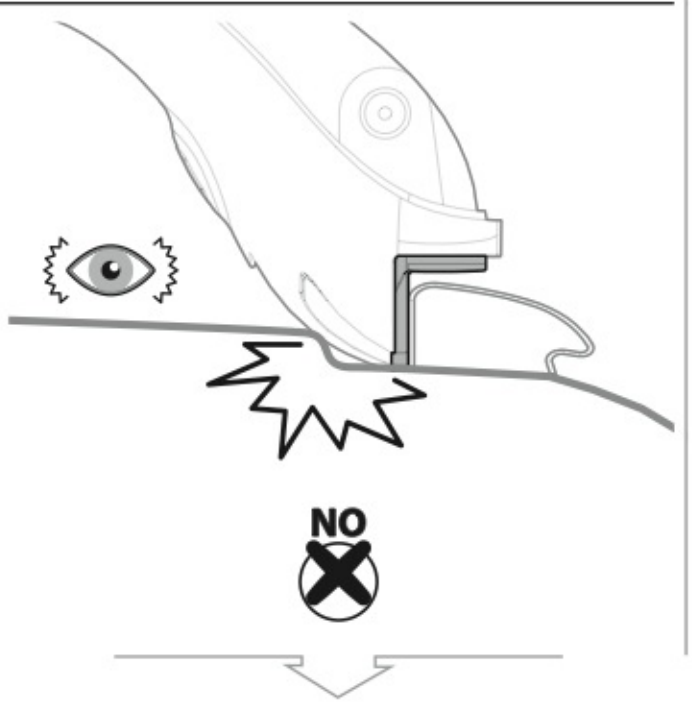
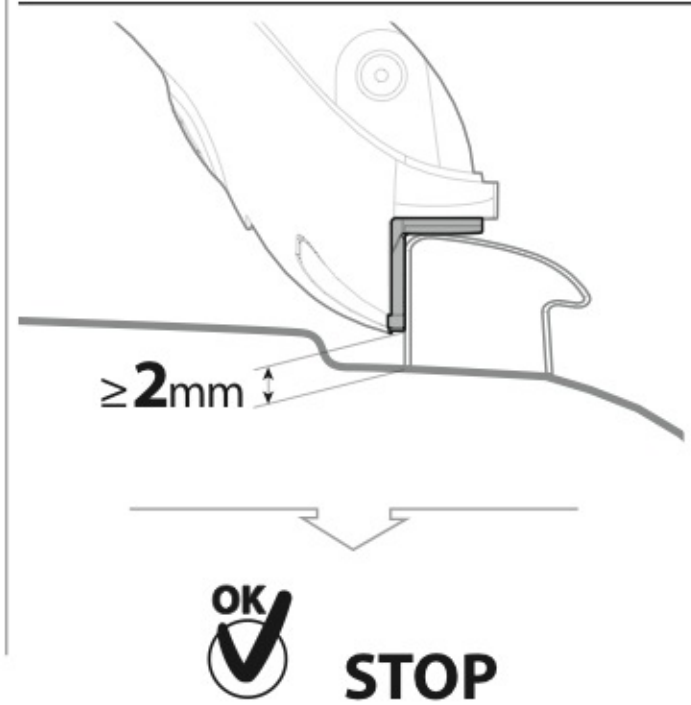
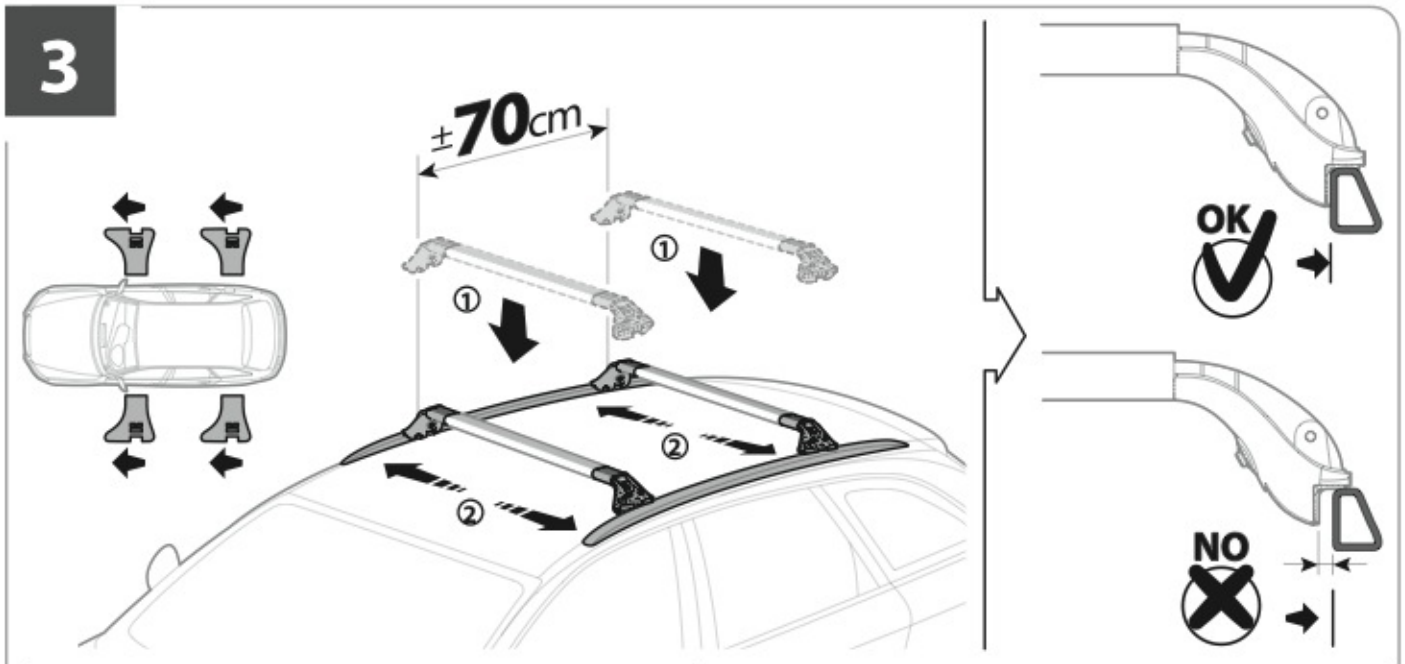
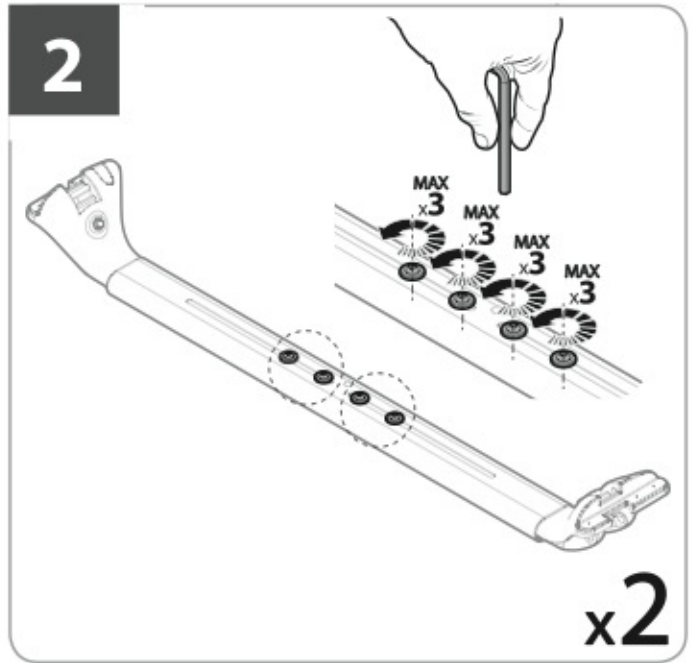
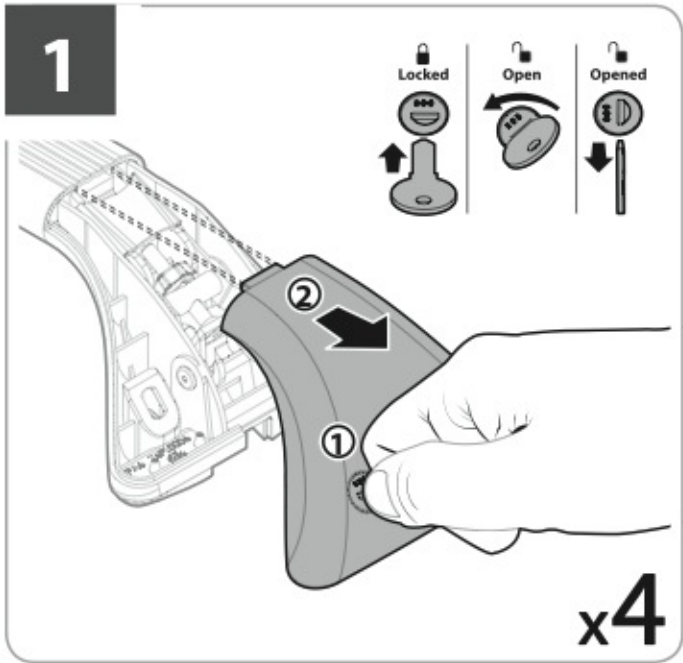
M6x60

60TM6060

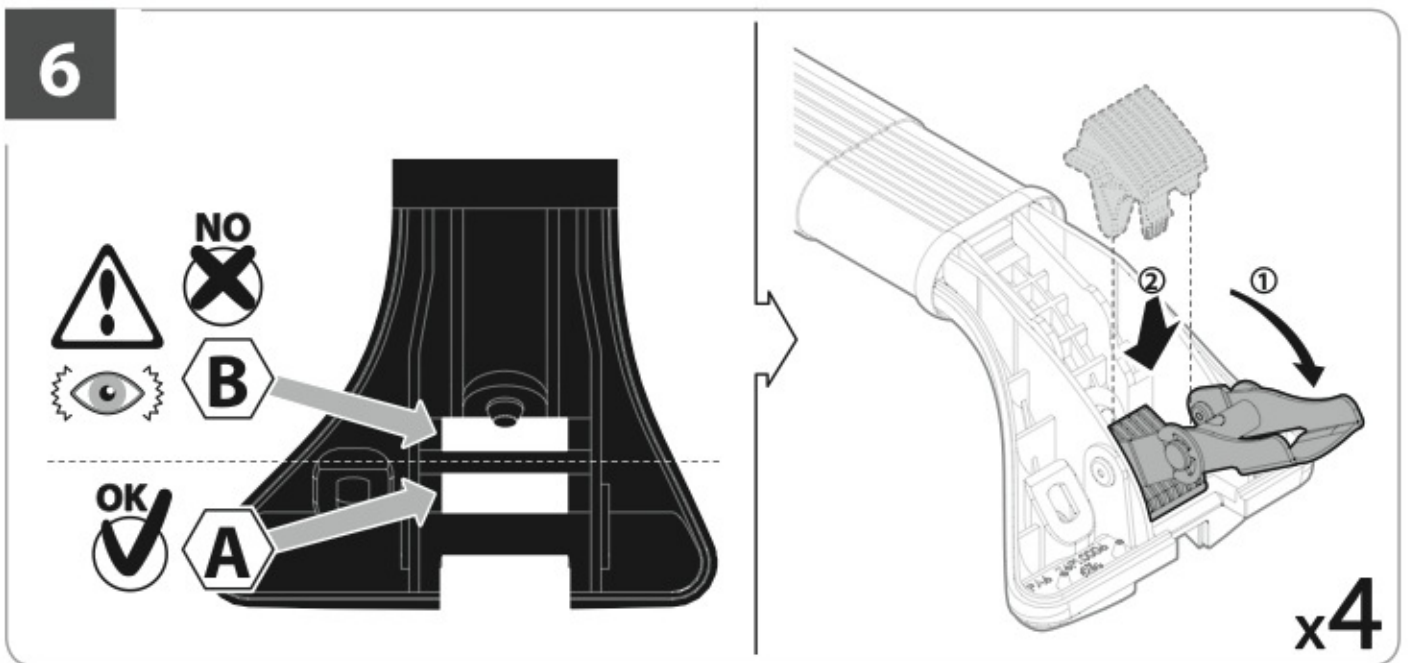
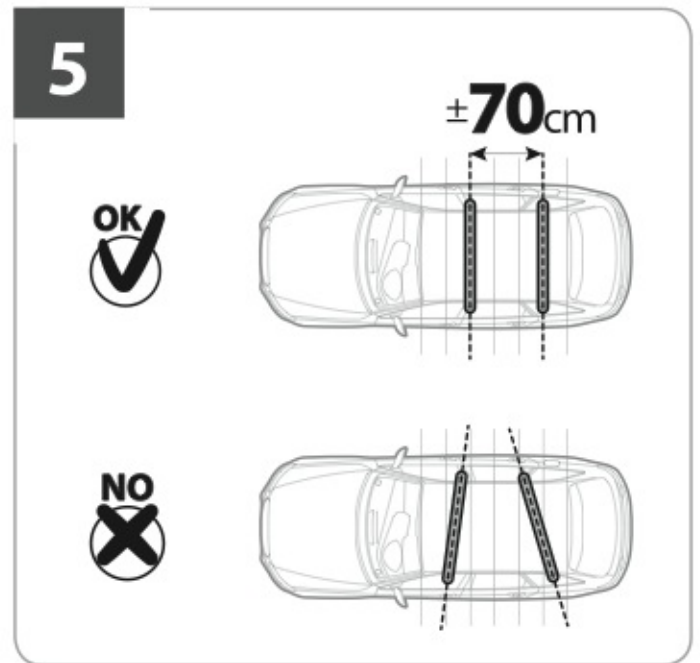
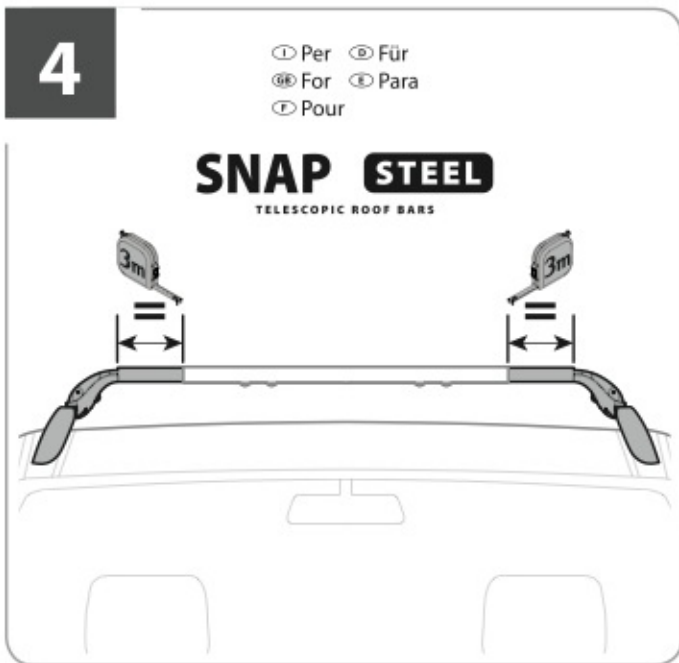
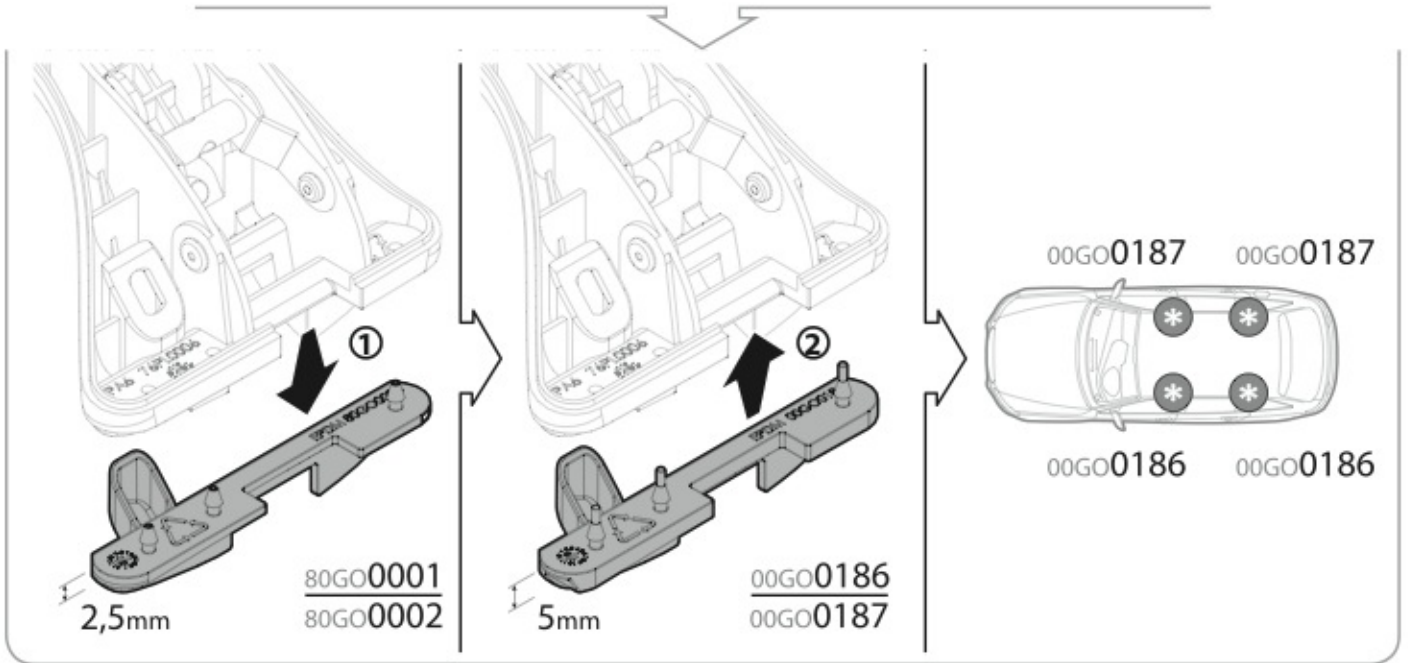
**x4**

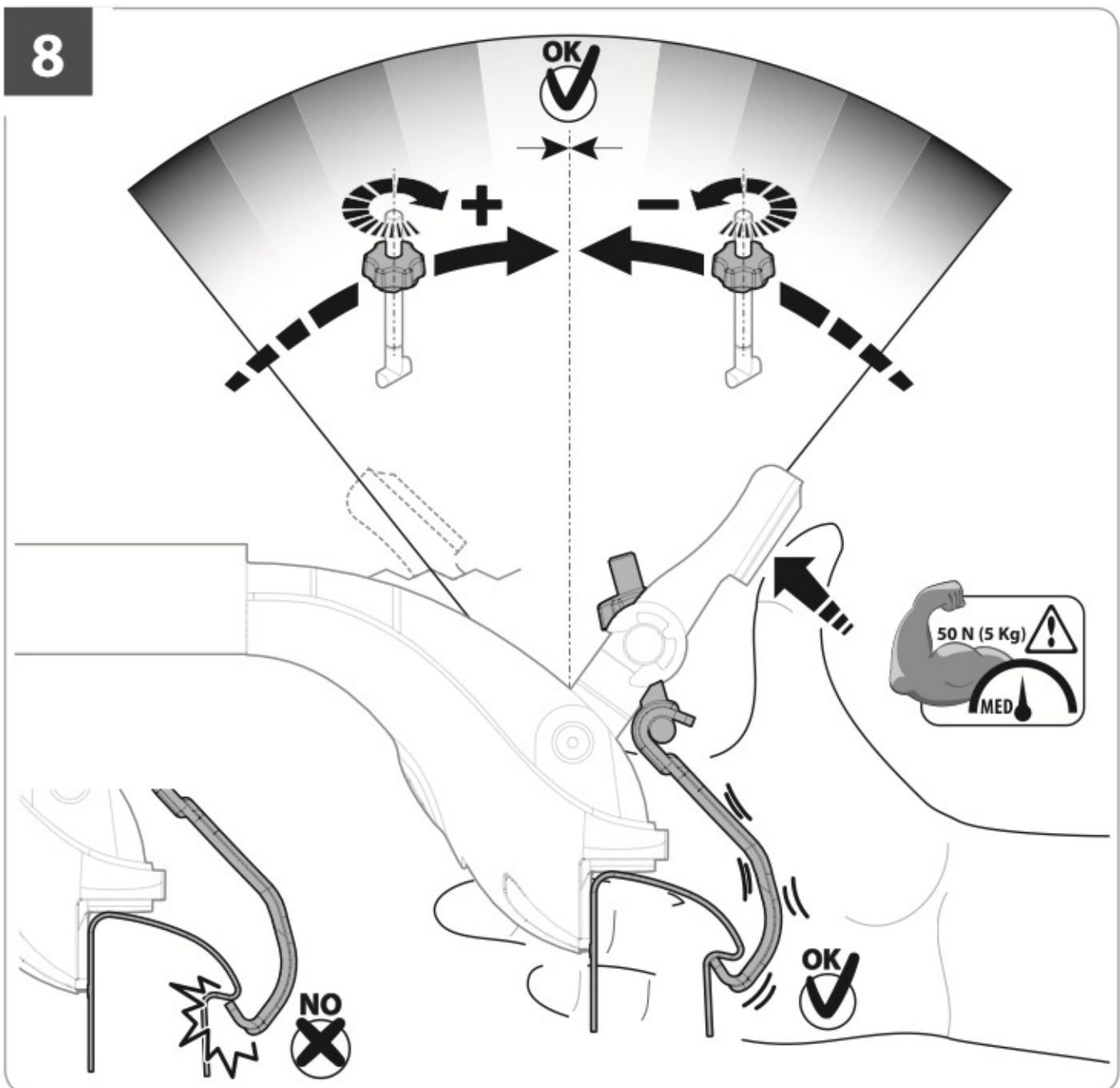
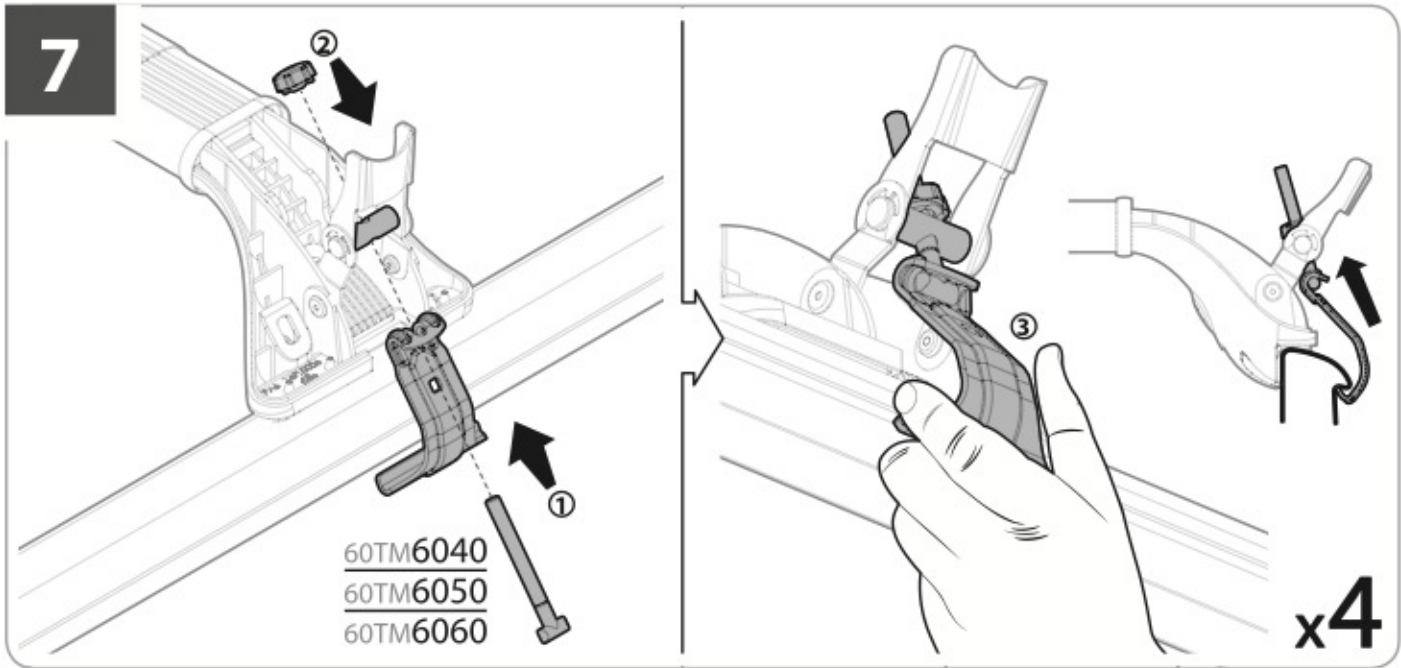


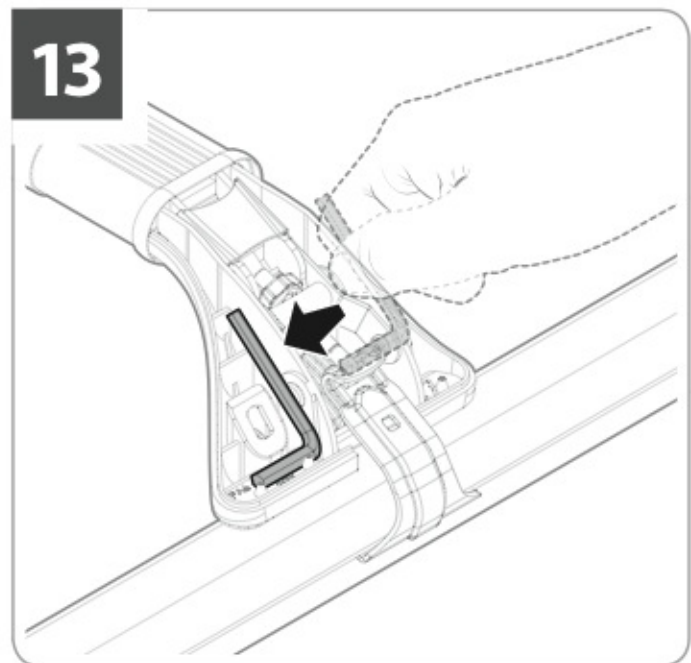
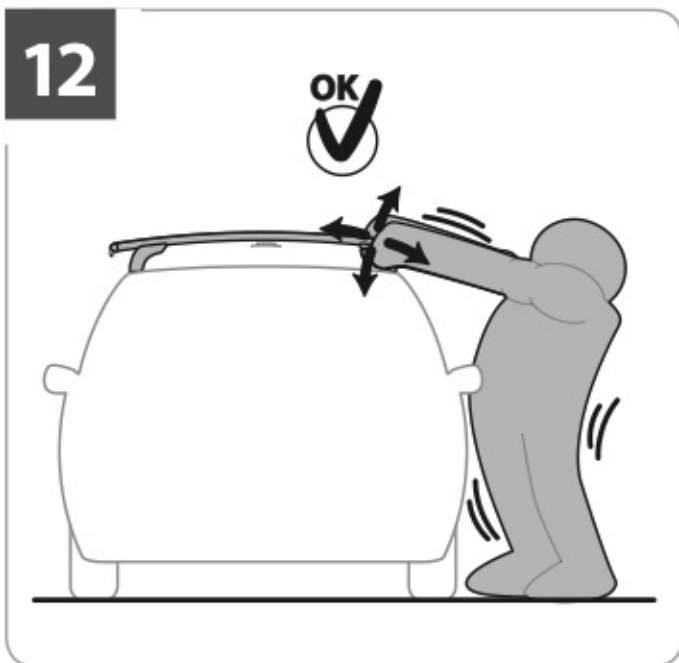
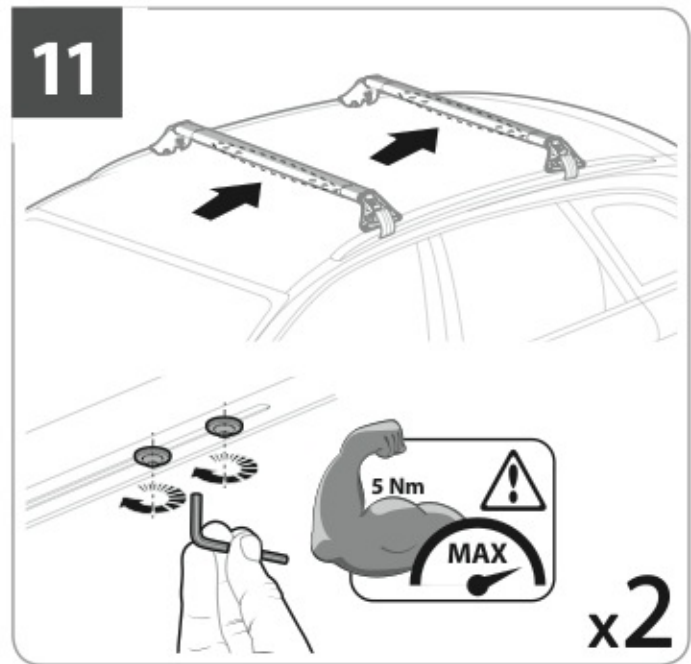
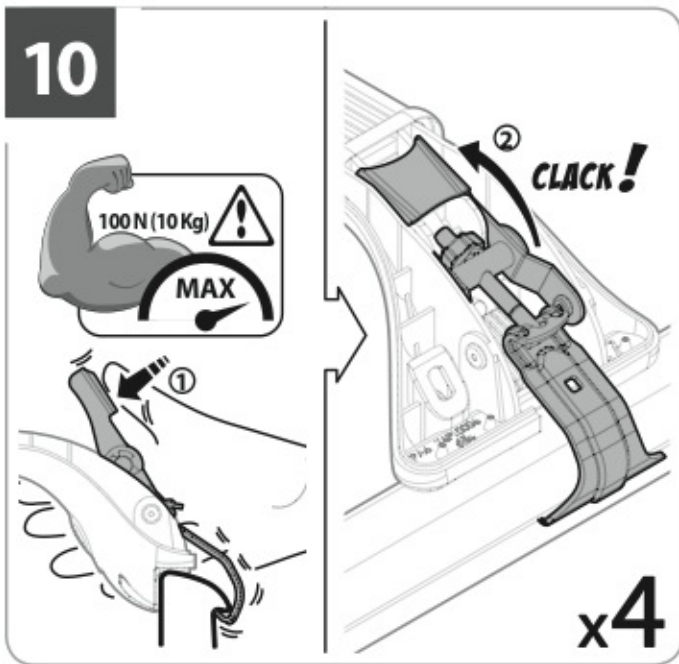
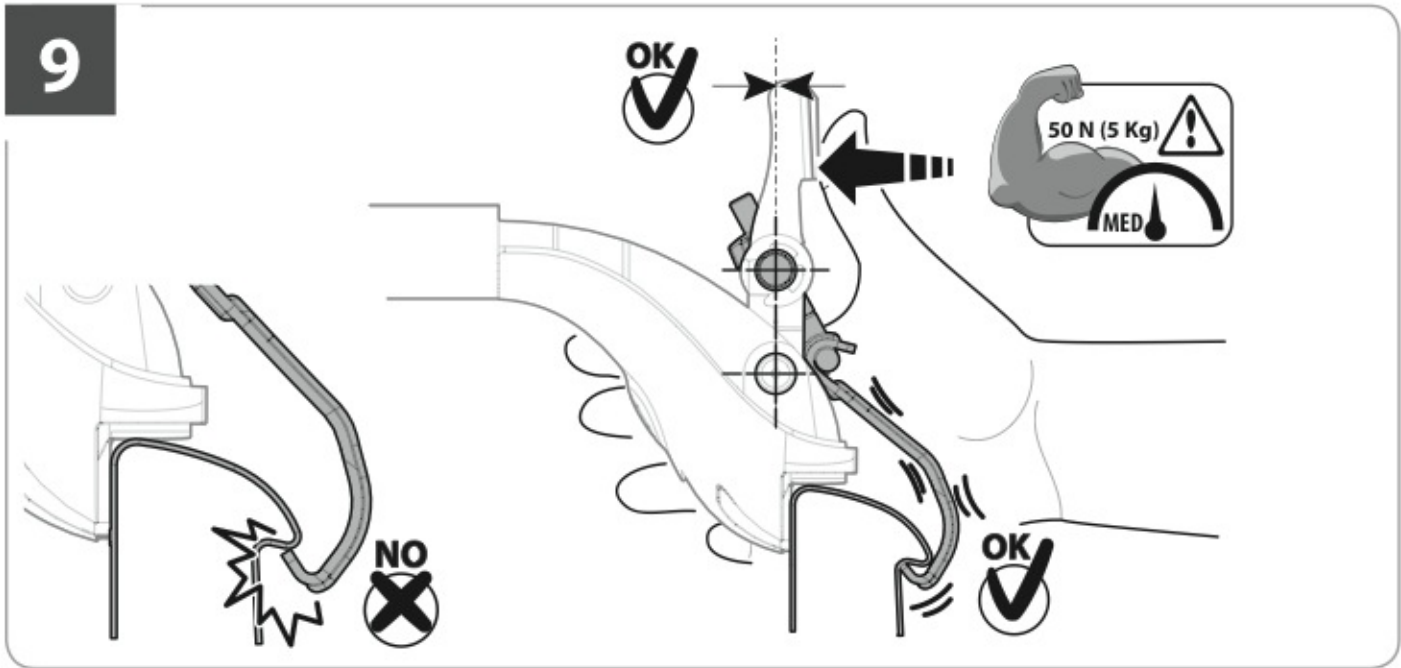
84FE0001



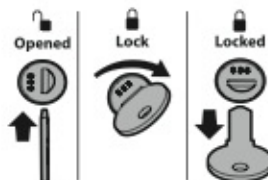
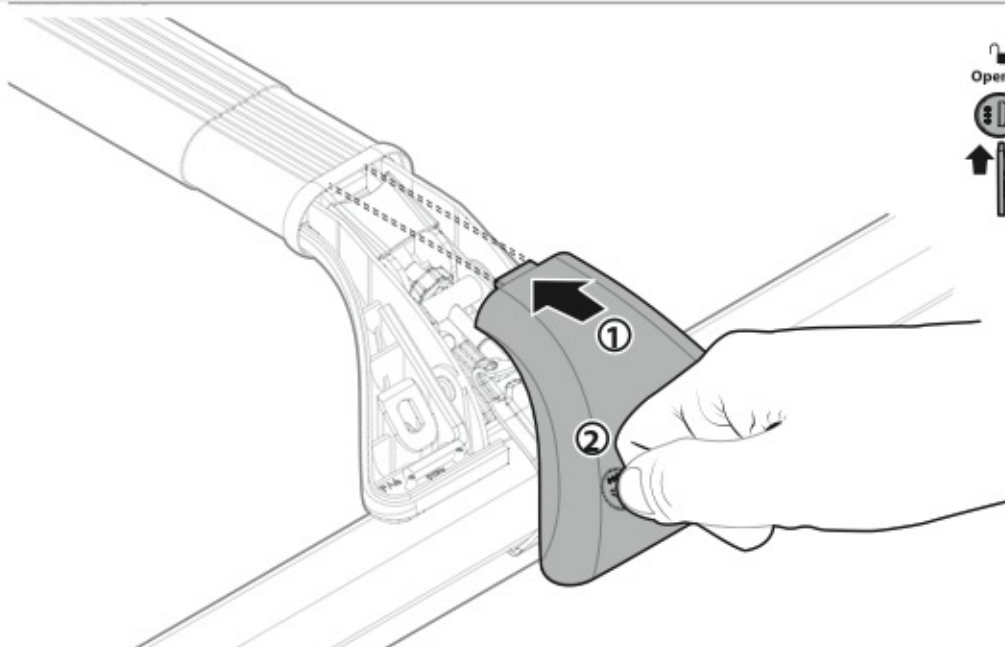








14

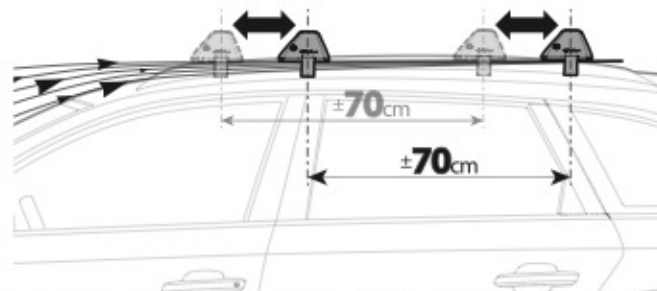
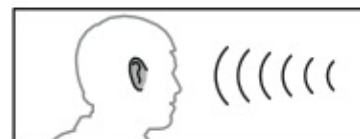
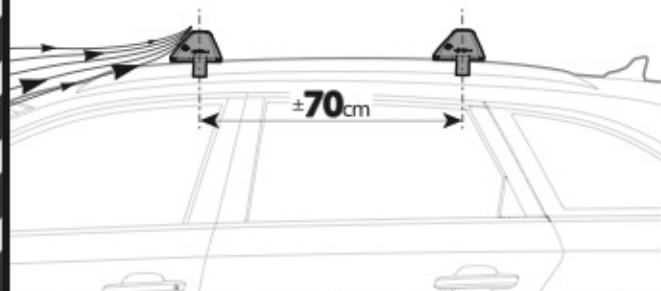
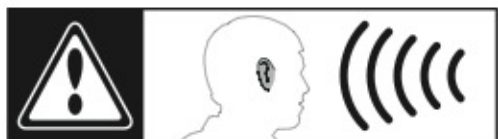
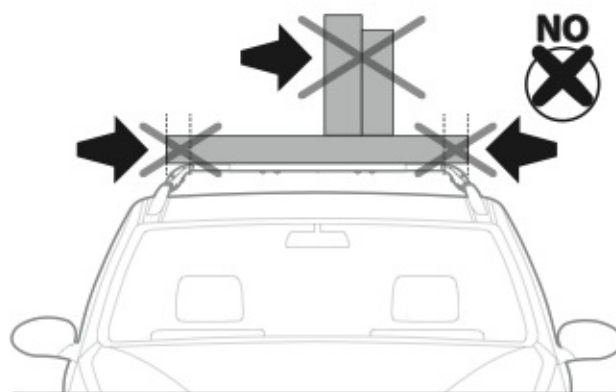
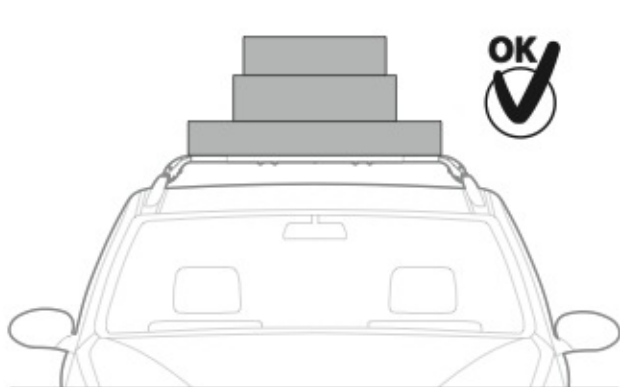


x4



# ATTENZIONE

## WARNING



**NORDRIVE**<sup>®</sup>  
TRANSPORT SOLUTIONS

NORDRIVE<sup>®</sup> is a registered trademark of  
**LAMPA S.p.A.**  
Via G. Rossa 53/55, 46019 Viadana (MN) ITALY  
Tel. +39 0375 820700  
UNI EN ISO 9001:2008 Certified Company  
[www.nordrive.it](http://www.nordrive.it)  
[www.lampa.it](http://www.lampa.it)

91CA0185 000