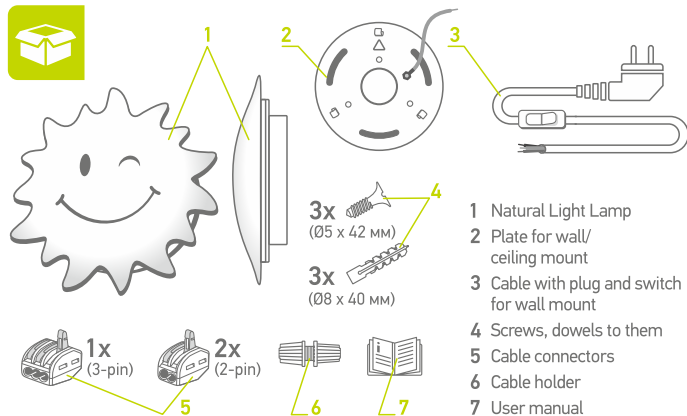
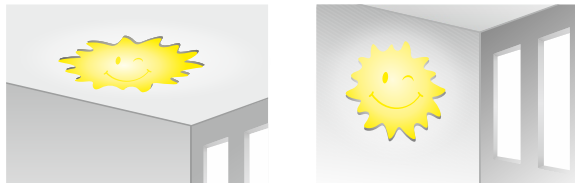
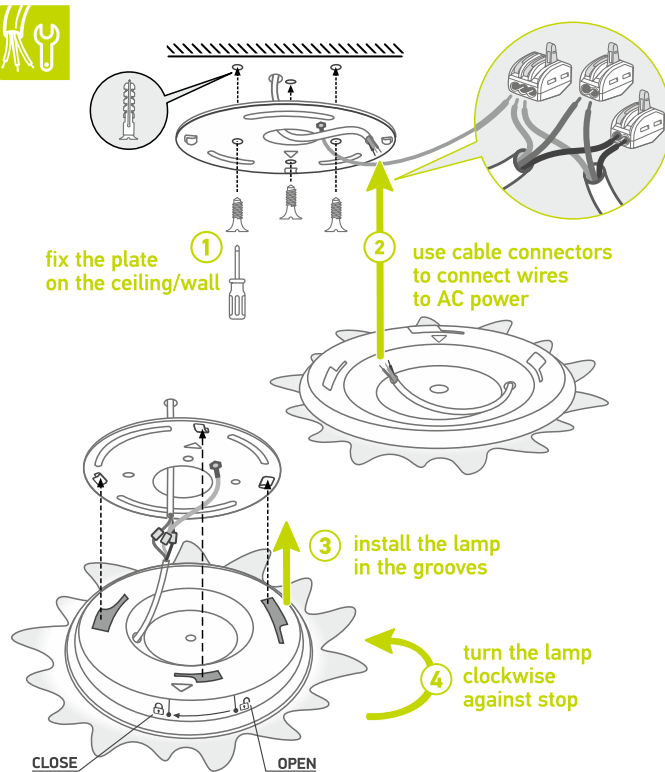


1**2**

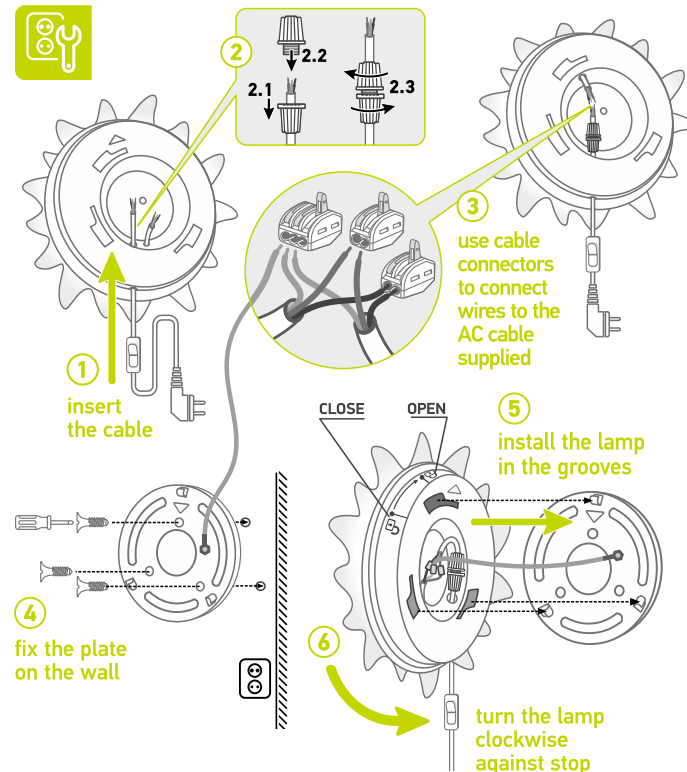
The Smart Natural Light Lamp can be mounted either on the ceiling or on the wall

**2.1**

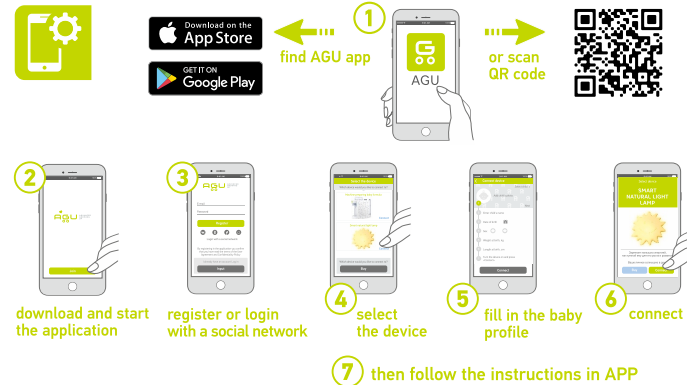
1st method: mounting on the ceiling \ wall with connecting directly to the wiring

**2.2**

2nd method: mounting on the wall with the connection to the outlet, using the cable supplied

**3**

Operation of the device via APP

**4**

Operation of the device without using APP

